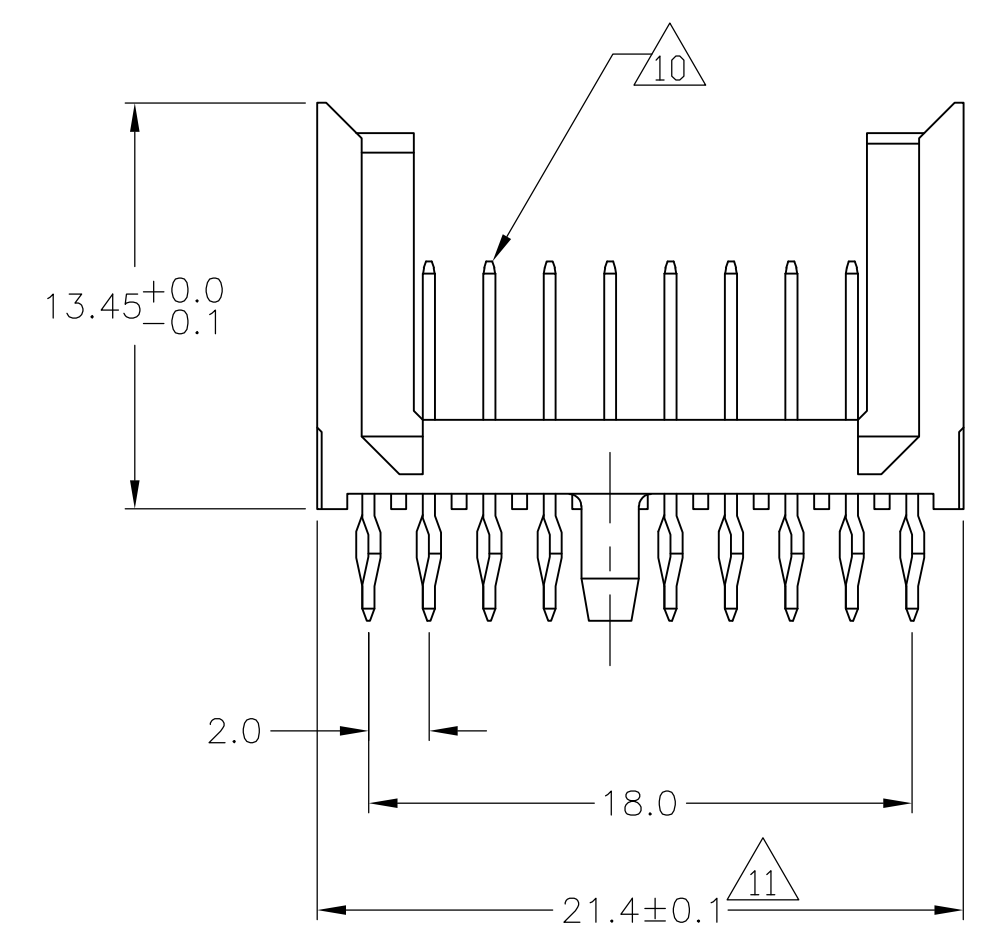
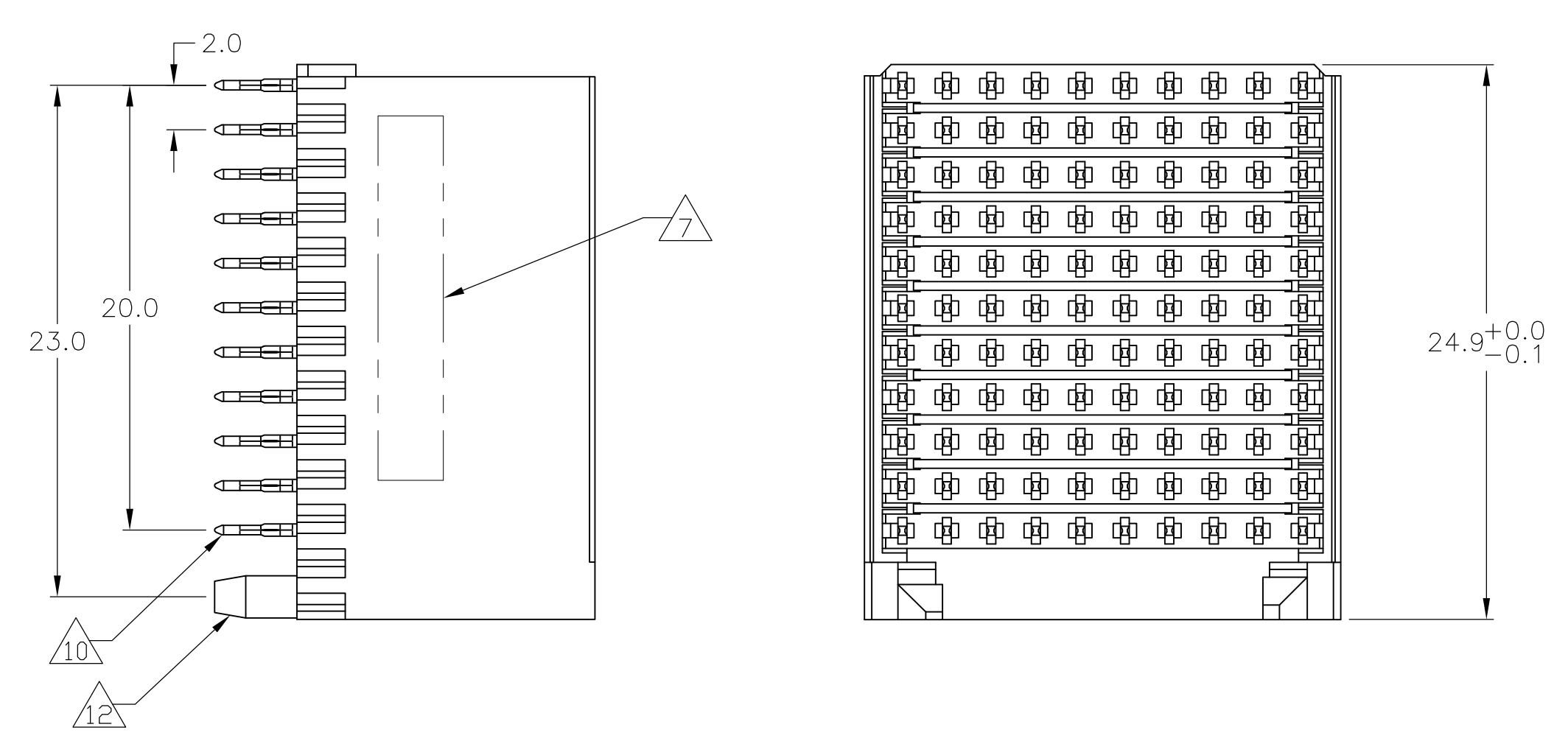
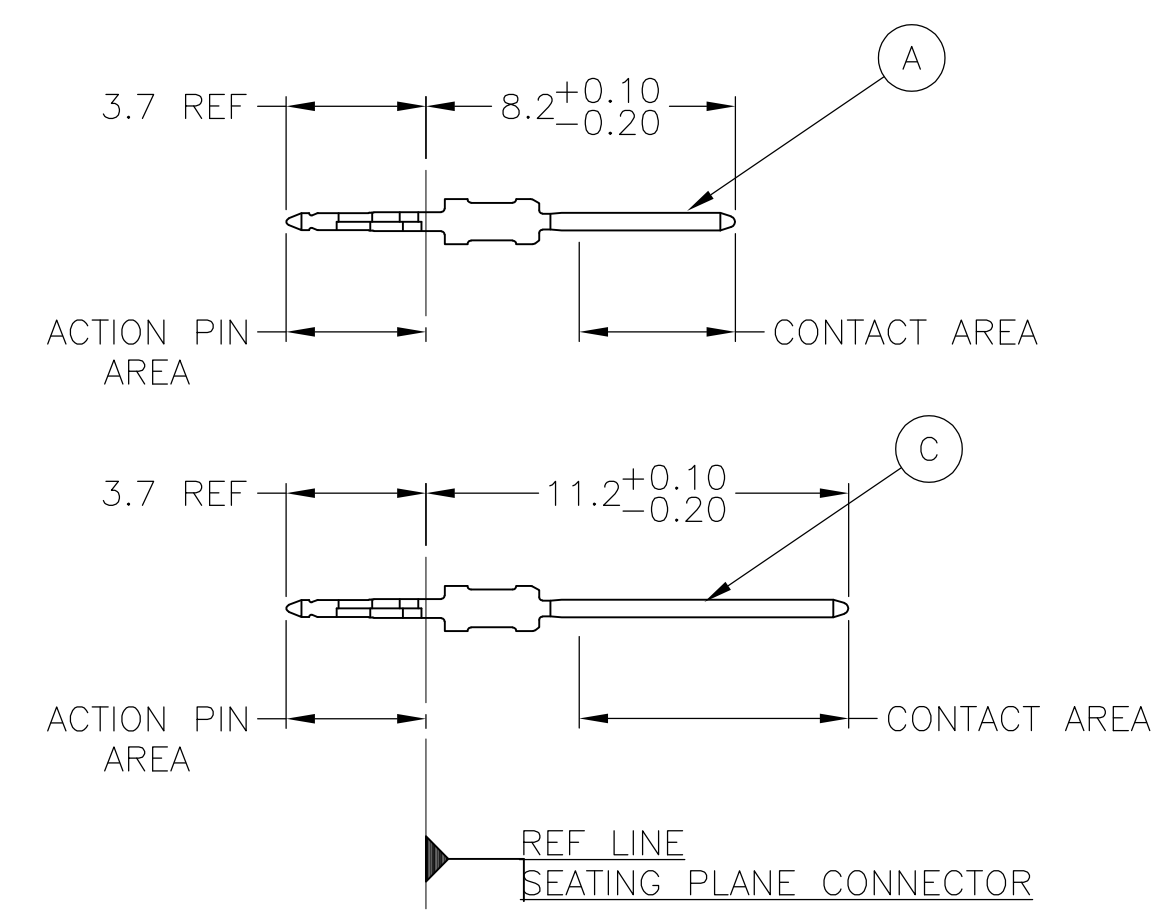


| LOC | | DIST | | REVISIONS | | | |
|-----|----|------|------------------------------|-----------|-----|------|--|
| AD | 00 | REV | DESCRIPTION | DATE | DRN | APVD | |
| A | | | REVISED PER ECN 0512-0303-05 | 17APR05 | JDP | GES | |
| A1 | | | REVISED PER ECO-09-024606 | 02NOV09 | KK | AEG | |
| B | | | ECR-10-018652 | 10SEP10 | JS | MQW | |

CONNECTOR ASSEMBLY EXAMPLARY LOADED



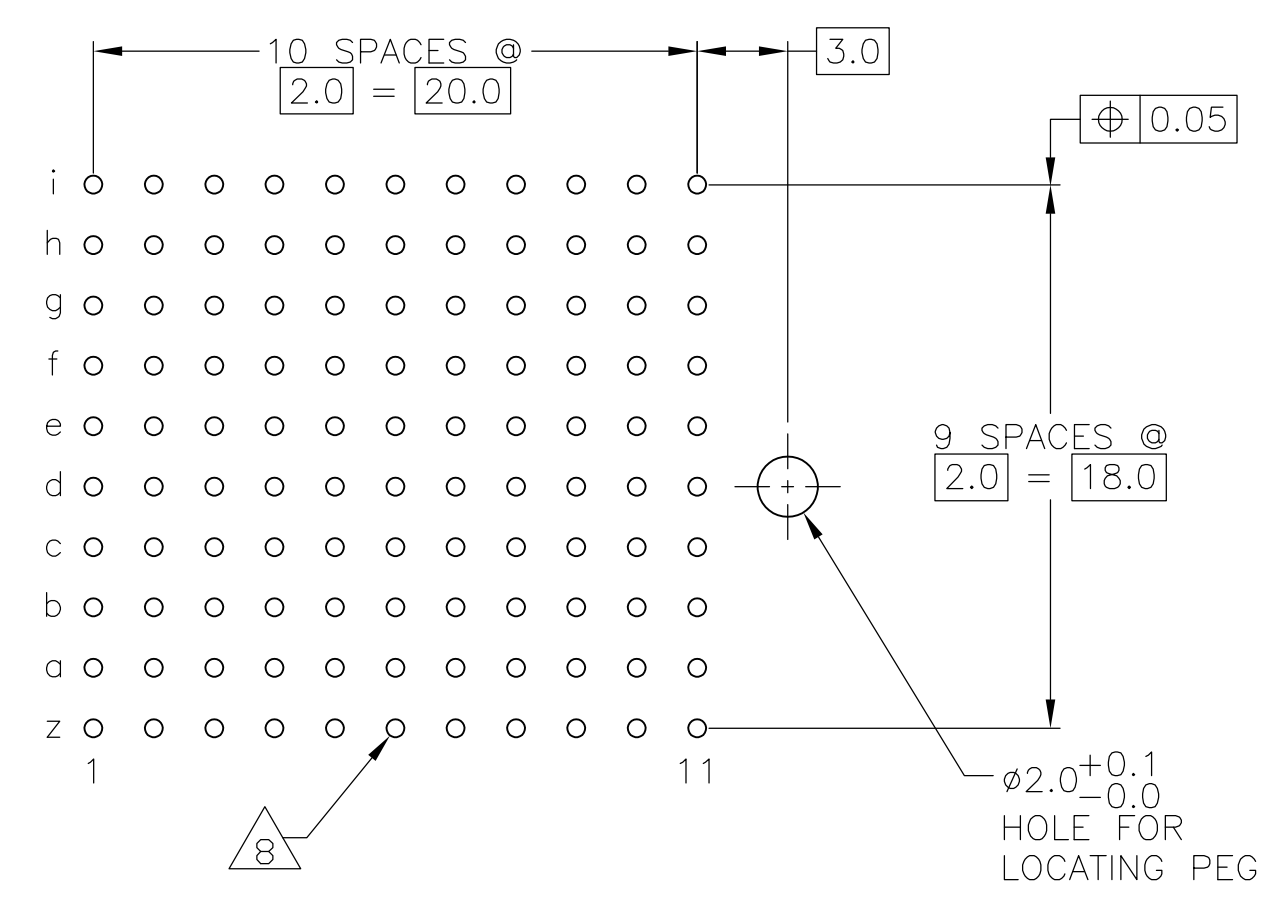
CONTACT DIMENSIONS SCALE 5:1



CONTACT LAYOUT

| | z | a | b | c | d | e | f | g | h | i |
|---------|---|---|---|---|---|---|---|---|---|---|
| 1 | C | A | A | A | A | A | A | A | A | C |
| 2 | C | A | A | A | A | A | A | A | A | C |
| 3 | C | A | A | A | A | A | A | A | A | C |
| 4 | C | A | A | A | A | A | A | A | A | C |
| 5 | C | A | A | A | A | A | A | A | A | C |
| 6 | C | A | A | A | A | A | A | A | A | C |
| 7 | C | A | A | A | A | A | A | A | A | C |
| 8 | C | A | A | A | A | A | A | A | A | C |
| 9 | C | A | A | A | A | A | A | A | A | C |
| 10 | C | A | A | A | A | A | A | A | A | C |
| 11 | C | A | A | A | A | A | A | A | A | C |
| GUIDING | | | | | | | | | | |

RECOMMENDED PCB-HOLE LAYOUT COMPONENT SIDE SHOWN



PLATED THRU HOLES PARAMETERS REFERENCE APPLICATION SPECIFICATION

| | | |
|-------------|--------|-------------|
| 14 OBSOLETE | 2 6 13 | 1-5646513-9 |
| | 2 5 13 | -5646513-9- |
| | 2 4 | 5646513-4 |
| | 2 3 | 5646513-1 |
| FINISH | | PART NUMBER |

THIS DRAWING IS A CONTROLLED DOCUMENT.

| | | | | | |
|------------------|--|-------------------------|-------------------------|--------------------------|--|
| DIMENSIONS: mm | TOLERANCES UNLESS OTHERWISE SPECIFIED: | DWN: S. WAITMAN 14JUL05 | CHK: G. SKIPPER 14JUL05 | APVD: G. SKIPPER 14JUL05 | NAME: Tyco Electronics Corporation Harrisburg, Pa 17105-3608 |
| 0-PLC ± | 1-PLC ±0.2 | 2-PLC ±0.052 | 3-PLC ±0.005 | 4-PLC ±0.30' | PRODUCT SPEC: MALE ASSEMBLY, Z-PACK 2mm HM, TYPE F |
| MATERIAL: 1 | FINISH: SEE TABLE | SIZE: A1 | CAGE CODE: 00779 | DRAWING NO: 108-19082 | RESTRICTED TO: - |
| CUSTOMER DRAWING | | SCALE: 4:1 | SHEET: 1 OF 2 | REV: B | |

| LOC | DIST | REVISIONS | | | |
|-----|------|-----------|-------------|----|------|
| AD | 00 | REV | DATE | BY | APPV |
| - | - | 1 | SEE SHEET 1 | - | - |

- 1 MATERIAL:
CONTACT: PHOSPHOR BRONZE.
HOUSING: GLASS-FILLED POLYESTER.
- 2 GENERAL PLATING SPECIFICATION: UNDERPLATING
(ENTIRE CONTACT): 1.27µm MIN NICKEL AND ACTION
PIN: 0.5µm MIN TIN.
FOR PLATING OF MATING SURFACES SEE APPLICABLE
SPECIFICATION REFERENCE FOR EACH DASH NUMBER.
- 3 CONFORMS TO ALL TESTING ACCORDING TO IEC 61076-4-101
PERFORMANCE LEVEL 2.
- 4 CONFORMS TO ALL TESTING ACCORDING TO IEC 61076-4-101
PERFORMANCE LEVEL 1.
- 5 CONNECTOR TESTED AND QUALIFIED AGAINST TELCORDIA GR-1217-CORE QUALITY LEVEL 3,
CENTRAL OFFICE APPLICATIONS.
- 6 CONNECTOR TESTED AND QUALIFIED AGAINST TELCORDIA GR-1217-CORE QUALITY LEVEL 3,
UNCONTROLLED ENVIROMENT APPLICATIONS.
- 7 CONNECTOR MARKED WITH PART NUMBER AND DATE CODE.
ADDITIONAL CHARACTERS OR MARKINGS, AS WELL AS THE LOCATION OF THE MARKINGS,
MAY BE ADDED FOR TRACEABILITY BASED UPON MANUFACTURERS DISCRETION.
- 8 PLATED-THROUGH HOLES AT 2x2mm SQUARE GRID
PATTERN DEFINED BY CONTACT LAYOUT.
- 9 FOR ACTUAL PIN LOADING SEE "CONTACT LAYOUT".
- 10 FOR ACTUAL PIN DIMENSIONS SEE "CONTACT DIMENSIONS".
- 11 TO BE MEASURED AT BOTTOM OF SHROUD.
- 12 LOCATION PEG.
- 13 CONNECTOR LUBRICATED WITH BELCORE APPROVED LUBRICANT,
TECHNICAL REFERENCE: TR-NWT-001217 ISSUE 1, SEP 1992.
- 14 OBSOLETE PARTS: OBSOLETE CIS STREAMLINING PER D.RENAUD/D.SINISI

| | | | | |
|--|--|------------------------------|---|-----------------------|
| THIS DRAWING IS A CONTROLLED DOCUMENT. | | DIN S. WAITMAN 14JUL05 | Tyco Electronics Corporation Harrisburg, Pa 17105-3608 | |
| DIMENSIONS: mm | | CHK G. SKIPPER | NAME MALE ASSEMBLY, Z-PACK 2mm HM, TYPE F | |
| TOLERANCES UNLESS OTHERWISE SPECIFIED: 0-PLG ± 1-PLG ±0.2 2-PLG ±0.02 3-PLG ±0.005 4-PLG ± ANGLES ±0.30° | | APPV G. SKIPPER | PRODUCT SPEC 108-19082 | RESTRICTED TO |
| MATERIAL SEE SHEET 1 | | FINISH SEE SHEET 1 | APPLICATION SPEC 114-19029 | SIZE A1 |
| WEIGHT - | | CAGE CODE 00779 | | DRAWING NO 5646513 |
| CUSTOMER DRAWING | | SCALE 4:1 | SHEET 2 OF 2 | REV B |